

VALLE
 SIGNS | AWNINGS | IMAGE
 55 Decker St. Copiague NY
 516.408.3440
 888.254.7322
 www.vallesigns.com

DATE
06-23-2022
REVISION
B
PROJECT NAME
LACROSSE UNLIMITED
ADDRESS
24 Palmer Ave, Bronxville, NY 10708
SIGN TYPE
Awning
PM
Massiel
DESIGNER
Orlando

This drawing or copy is property of vallesigns & awnings and is submitted for personal use in connection with the project. That vallesigns & awnings is planning for you or your organization, it cannot be copied, faxed, reproduced or exhibited to anyone outside your organization without the written permission from vallesigns & awnings.



SCALE
 N.T.S
 P-1/2
 COLORS ON PROOF MAY VARY FROM ACTUAL PRODUCT USED

SITE PLAN

I, _____ have reviewed the above specifications & hereby fully understand the content of work to be performed

/ / / /

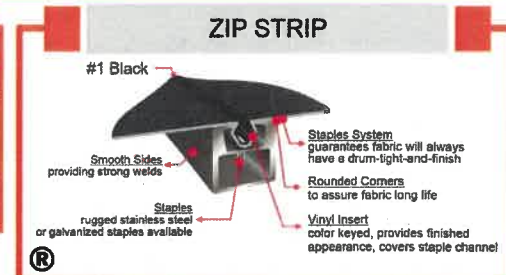
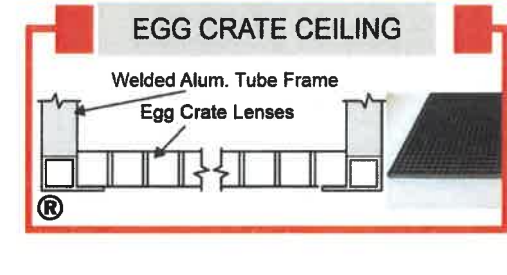
Print Name Signature Date



PLEASE CHECK PROOF FOR CORRECT COLORS, SPELLING, SIZE, CORRECT LOGO AND PLACEMENT FOR ART.
 BY REPLYING "APPROVED", YOU AGREE THAT THE ART IS READY TO PRODUCE AS SHOWN.
 VALLESIGNS WILL NOT ASSUME RESPONSIBILITY FOR ANY INACCURACIES THAT ARE NOT CAUGHT ON THIS APPROVAL.

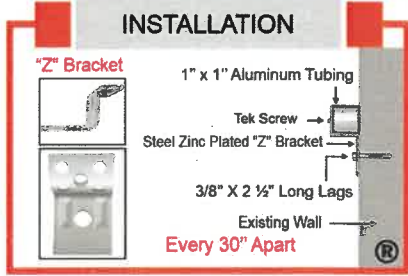
** Renderings are © copyright protected and are bound by The U.S. Copyright Act, 17 U.S.C. chapter 13 § 101 – 810**

New Awning



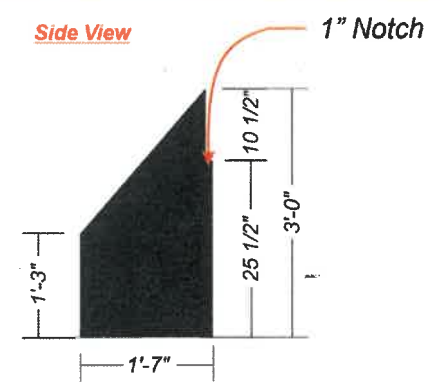
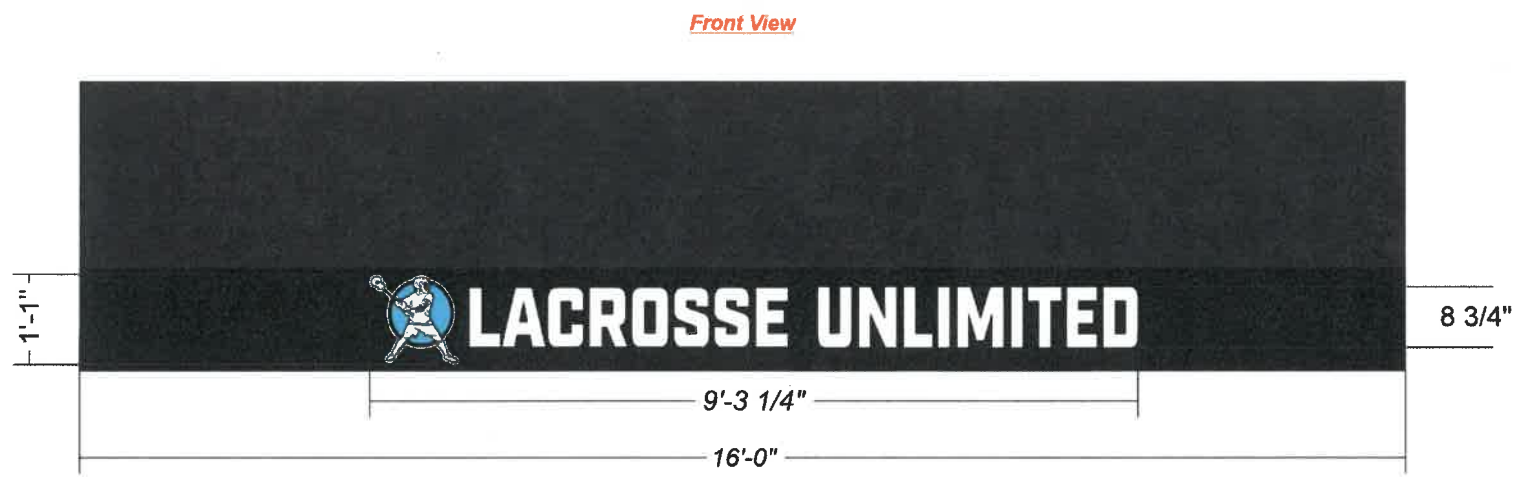
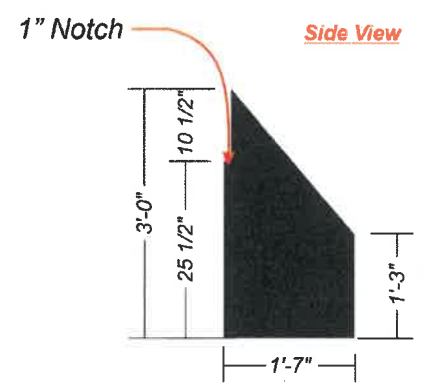
SQUARE FOOTAGE

Sign Height	1'-1"
Sign Width	9'-3/4"
TOTAL SQ. FT.	10.04



- SPECIFICATIONS**
- New awning
 - 1" x 1" Black painted tubing staple system frame
 - Sunbrella 4608-0000 Black
 - #1 Black Zip Strip
 - White Painted Lettering
 - Black Eggcrate Ceiling
 - No lights

- Fabric Specifications**
SUNBRELLA BLACK 4608-0000
- Letters Specification**
SW REGULAR WHITE
- Frame Color**
SHERWIN WILLIAMS BLACK
- Logo Color**
RONAN AQUACOTE PROCESS BLUE PAINT #WB154
- Ceiling Specification**
BLACK EGG CRATE CEILING



VALLE
SIGNS | AWNINGS | IMAGE
55 Decker St. Copiague NY
516.408.3440
888.254.7322
www.vallesigns.com

DATE
06-23-2022

REVISION
B

PROJECT NAME
LACROSSE UNLIMITED

ADDRESS
24 Palmer Ave,
Bronxville, NY 10708

SIGN TYPE
Awning

PM
Massiel

DESIGNER
Orlando

This drawing or copy is property of vallesigns & awnings and is submitted for personal use in connection with the project. That vallesigns & awnings is planning for you or your organization, it cannot be copied, faxed, reproduced or exhibited to anyone outside your organization without the written permission from vallesigns & awnings.

APPROVAL REQUIRED

SCALE
N.T.S
P-1/1
COLORS ON PROOF MAY VARY FROM ACTUAL PRODUCT USED

I, _____ have reviewed the above specifications & hereby fully understand the content of work to be performed

Print Name _____ Signature _____ Date ____/____/____

PLEASE CHECK PROOF FOR CORRECT COLORS, SPELLING, SIZE, CORRECT LOGO AND PLACEMENT FOR ART. BY REPLYING "APPROVED", YOU AGREE THAT THE ART IS READY TO PRODUCE AS SHOWN. VALLESIGNS WILL NOT ASSUME RESPONSIBILITY FOR ANY INACCURACIES THAT ARE NOT CAUGHT ON THIS APPROVAL.

** Renderings are © copyright protected and are bound by The U.S. Copyright Act, 17 U.S.C. chapter 13 § 101 – 810**