

MEMORANDUM

DATE: February 17, 2022

TO: Design Review Committee

FROM: Paul Taft, Building Inspector

RE: Sign/Awning Permit Application: AWN 001-22
Project Location: 71 Pondfield Rd
Store name: Corcoran Legends Realty
4./1/5.A-1-2

Please be advised that the above referenced application has been reviewed and is being forwarded for your review and approval in accordance with Section 310-23 and Section 310-26 of the Village Code. Based upon my review of the materials submitted it appears that the awning as proposed does not comply for the following reasons – 1) the size of the name Corcoran exceeds the allowed 4” as per “310-23- B (3) (c) The name of each business conducted in a business establishment in letters in a single color may also be displayed on the main entrance door in letters not over two inches high or on the bottom edge of one awning in letters not over four inches high, but not both, and in one window of a second floor business establishment in letters not over four inches high.”

Applicant should revise the application to reflect this requirement.

CC: Planning Board Chairman
Applicant



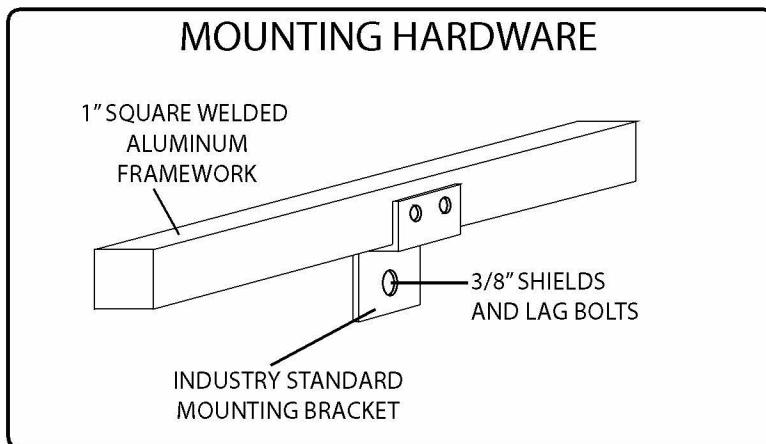
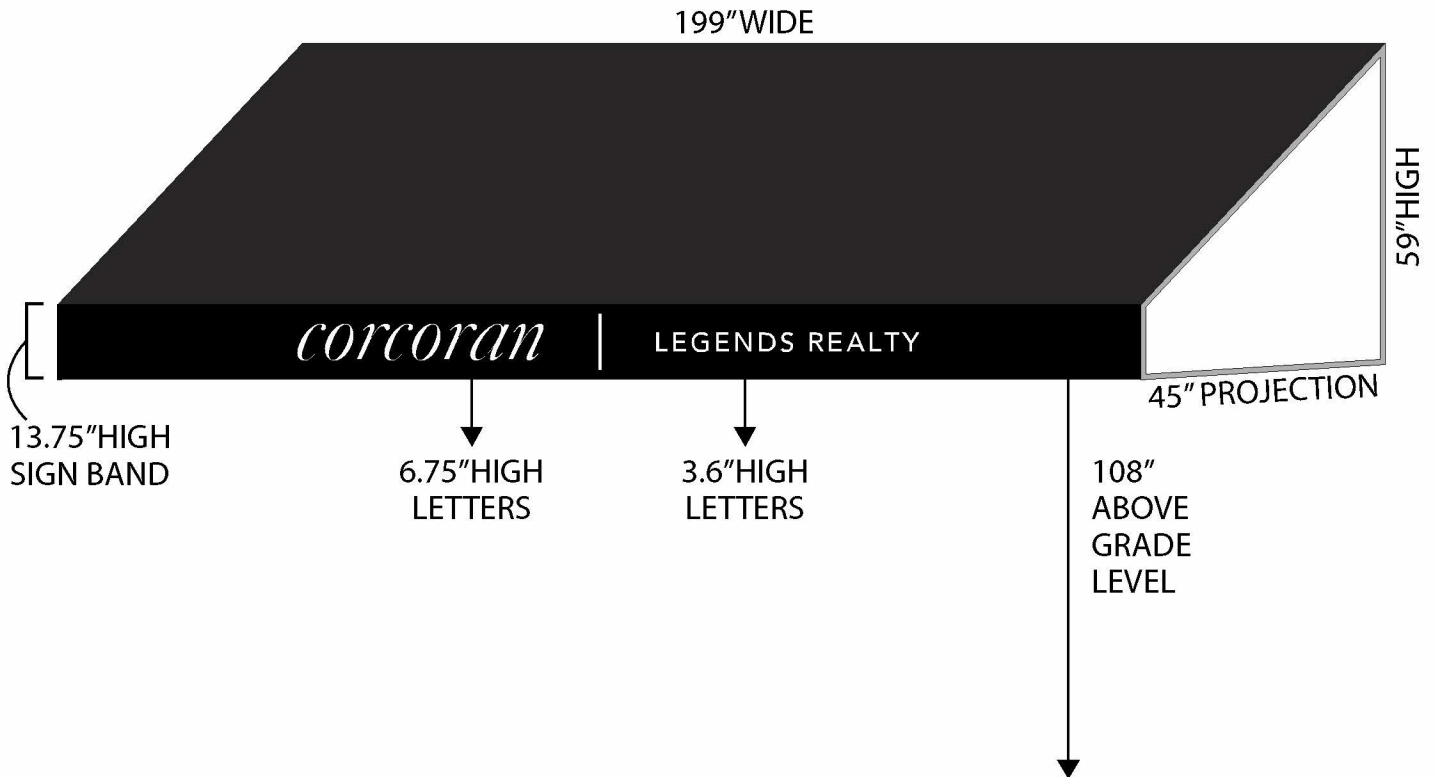
- ANY & EVERY SIGN
- CARVED SIGN SPECIALISTS
- AWNINGS
- VEHICLE LETTERING
- ELECTRIC SIGNS
- BANNERS & DECALS
- GRAPHIC & LOGO DESIGN
- CNC MACHINING
- BUCKET TRUCK SERVICE
- PRINTING SERVICES
- WINDOW TINTING
- & MUCH MORE

Phone: 914.693.3755 • Fax: 914.693.3759

WWW.SIGNEXTREME.COM

ADDRESS: 71 PONDFIELD ROAD, BRONXVILLE, NY

PROJECT: TRADITIONAL AWNING WITH SIGNBAND AWNING RECOVER WITH OPEN SIDES AND IMPRINTED LETTERING



WHITE
IMPRINTED LETTERING



BLACK
SUNBRELLA CANVAS

APPROVAL

If approved, please sign and fax back to 914-693-3759.

X _____

DATE _____



- ANY & EVERY SIGN
- ELECTRIC SIGNS
- BUCKET TRUCK SERVICE
- CARVED SIGN SPECIALISTS
- BANNERS & DECALS
- PRINTING SERVICES
- AWNINGS
- GRAPHIC & LOGO DESIGN
- WINDOW TINTING
- VEHICLE LETTERING
- CNC MACHINING
- & MUCH MORE

Phone: 914.693.3755 • Fax: 914.693.3759

WWW.SIGNEXTREME.COM

LETTERING HEIGHTS OF NEIGHBORING AWNINGS VS PROPOSED

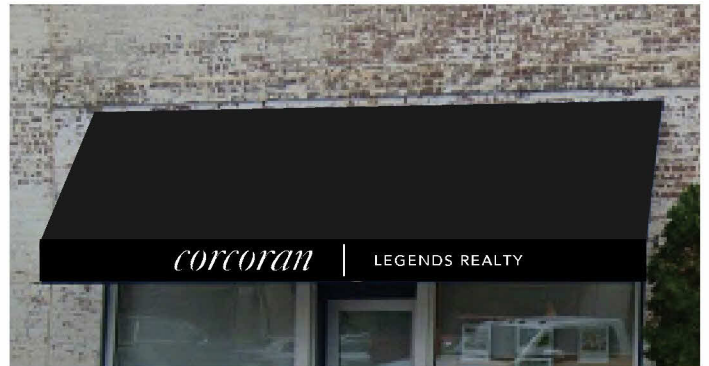
LETTERING 6.75" HIGH



EXISTING LETTERING 6.75" HIGH



PROPOSED NEW LETTERING 6.75" HIGH AND 3.6" HIGH



LETTERING IS 6.75" HIGH



LETTERING IS 8" HIGH



ADDITIONAL PHOTO VIEWS:

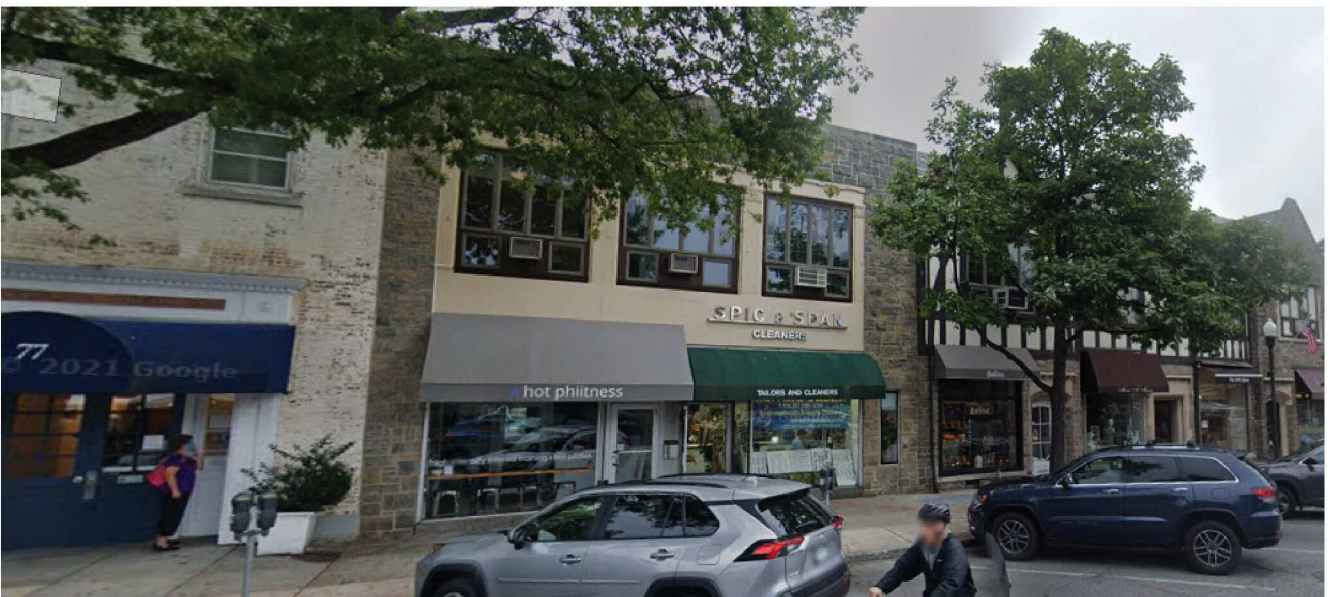
CURRENT STATE OF BUILDING:

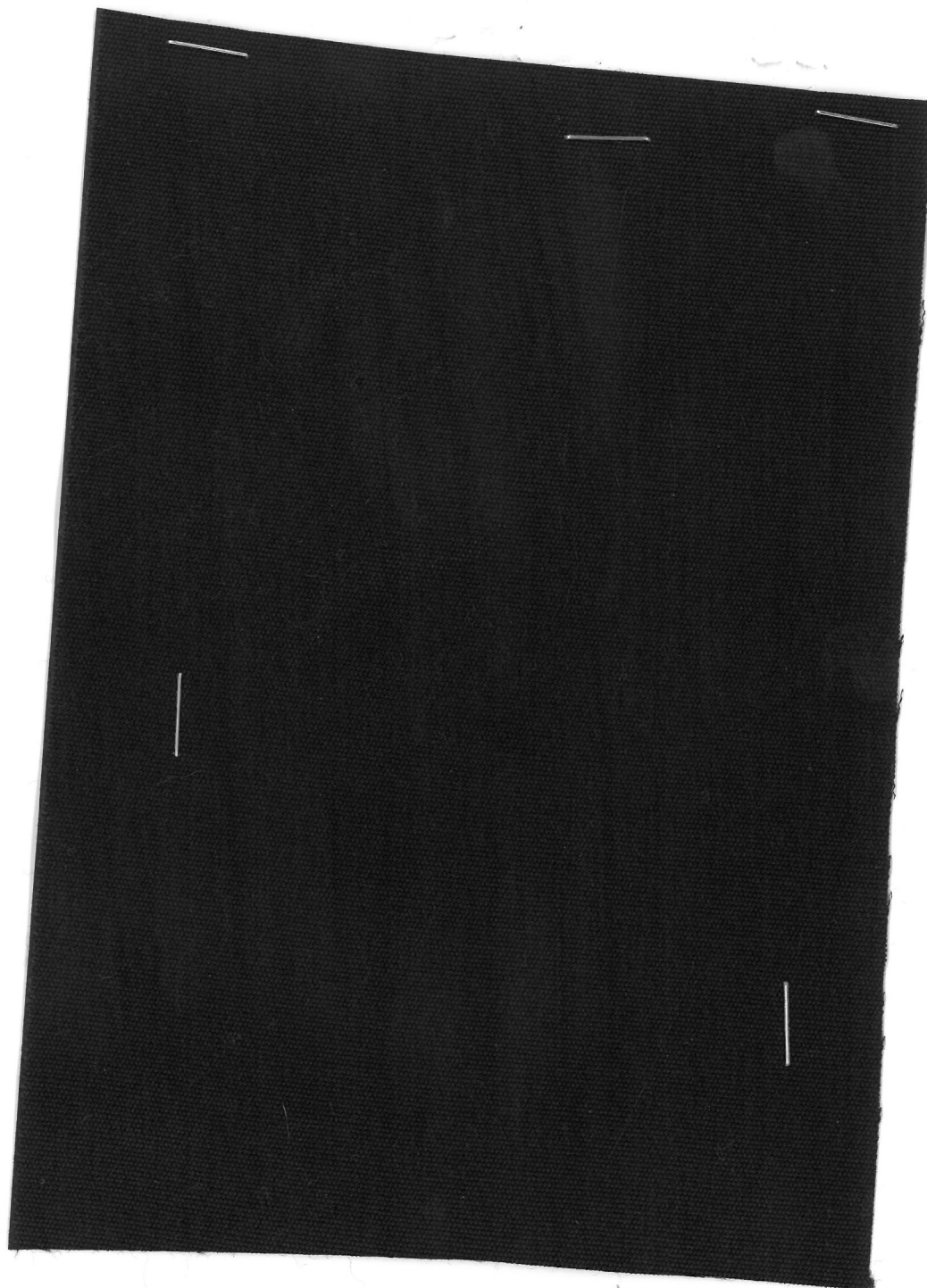


ADJACENT 1:



ADJACENT 2:





BLACK SUNBRELLA
CANVAS SAMPLE